

Installation Note

Agilent E8257D/67D PSG Signal Generators Add Option UNR (Enhanced Phase Noise) Kit Part Number E8251-60380

NOTE For the latest revision of this installation note, go to the following website:
<http://www.agilent.com/find/psg>



Part Number E8251-90380
Printed in USA August 2004



E8251-90380

Notice

The information contained in this document is subject to change without notice.

Agilent Technologies makes no warranty of any kind with regard to this material, including but not limited to, the implied warranties of merchantability and fitness for a particular purpose. Agilent Technologies shall not be liable for errors contained herein or for incidental or consequential damages in connection with the furnishing, performance, or use of this material.

Add Option UNR (Enhanced Phase Noise) Kit Part Numbers E8251-60380

Product Affected:	E8257D/67D
Serial Numbers:	All
Options:	
To Be Performed By:	(X) Agilent Technologies Service Center (X) Personnel Qualified by Agilent Technologies (X) Customer
Estimated Installation Time:	2.0 hours
Estimated Verification Time:	2.0 hours

Introduction

This upgrade kit adds Option UNR (Enhanced Phase Noise) to the E8257D (Analog) and E8267D (Vector) PSG Signal Generators.

Installation includes the following major steps, starting on page 5:

1. Check signal generator functionality.
2. Remove the outer and inner signal generator covers.
3. Install the A32 10 MHz Crystal Oscillator.
4. Install the A7 Reference assembly.
5. Verify proper installation of Option UNR.
6. Re-assemble the signal generator.
7. Verify signal generator calibration.

Installation Kit Parts List

Item	Quantity	Description	Part Number
1	1	Installation Note	E8251-90380
2	2	Screw M3x0.5 8mm-LG	0515-0372
3	1	A32 10 MHz Crystal Oscillator	E8251-60071
4	1	A7 Reference Board (Option UNR)	E8251-60048

Tools Required

- TORX T-10 driver
- TORX T-15 driver
- TORX T-20 driver
- Needle-nose pliers

Safety Considerations

WARNING

Before you disassemble the signal generator, turn the power switch off and unplug the power cord. Failure to unplug the signal generator can result in personal injury.

CAUTION

Electrostatic discharge (ESD) can damage or destroy electronic components. All work on electronic assemblies should be performed at a static-safe workstation.

Check Signal Generator Functionality

Use the following procedure to confirm that the signal generator powers up and the internal check identifies no errors. The internal check evaluates the operation of the signal generator and returns an error message if it detects a problem.

NOTE When the signal generator is first connected to ac line power, the error message `ERROR 514, Reference Oven Cold` occurs, which causes both the `OVEN COLD` annunciator and the `ERR` annunciator to turn on.

After approximately five minutes, the `OVEN COLD` annunciator automatically clears, but the `ERR` annunciator remains on until all errors are cleared from the error queue.

1. Turn on the signal generator and let it warm up for at least five minutes.
2. Run the signal generator self-test by pressing **Utility > Instrument Info/Help Mode > Self Test > Run Complete Self Test**. Upon completion, a summary of the self-test will be displayed. Use the E8257D/67D PSG Service Guide, E8251-90359, to troubleshoot any failures detected by the test.

NOTE Some circuits may require up to 50 minutes to warm up before passing the self-test. If self-tests continue to fail after 50 minutes of warm up, troubleshoot the instrument.

3. Check to see if the `ERR` annunciator is on.
 - If the `ERR` annunciator is on, review the error messages in the error queue by pressing **Utility > Error Info**. The first page of error messages in the error queue appears in the display text area. (Refer to the signal generator error messages document for information about each error message.)

After resolving all problems causing errors, press **Clear Error Queue(s)**.
 - If the `ERR` annunciator is off, the signal generator functionality check has passed.

Remove the Outer and Inner Signal Generator Covers

Remove the Outer Cover

Refer to Figure 1.

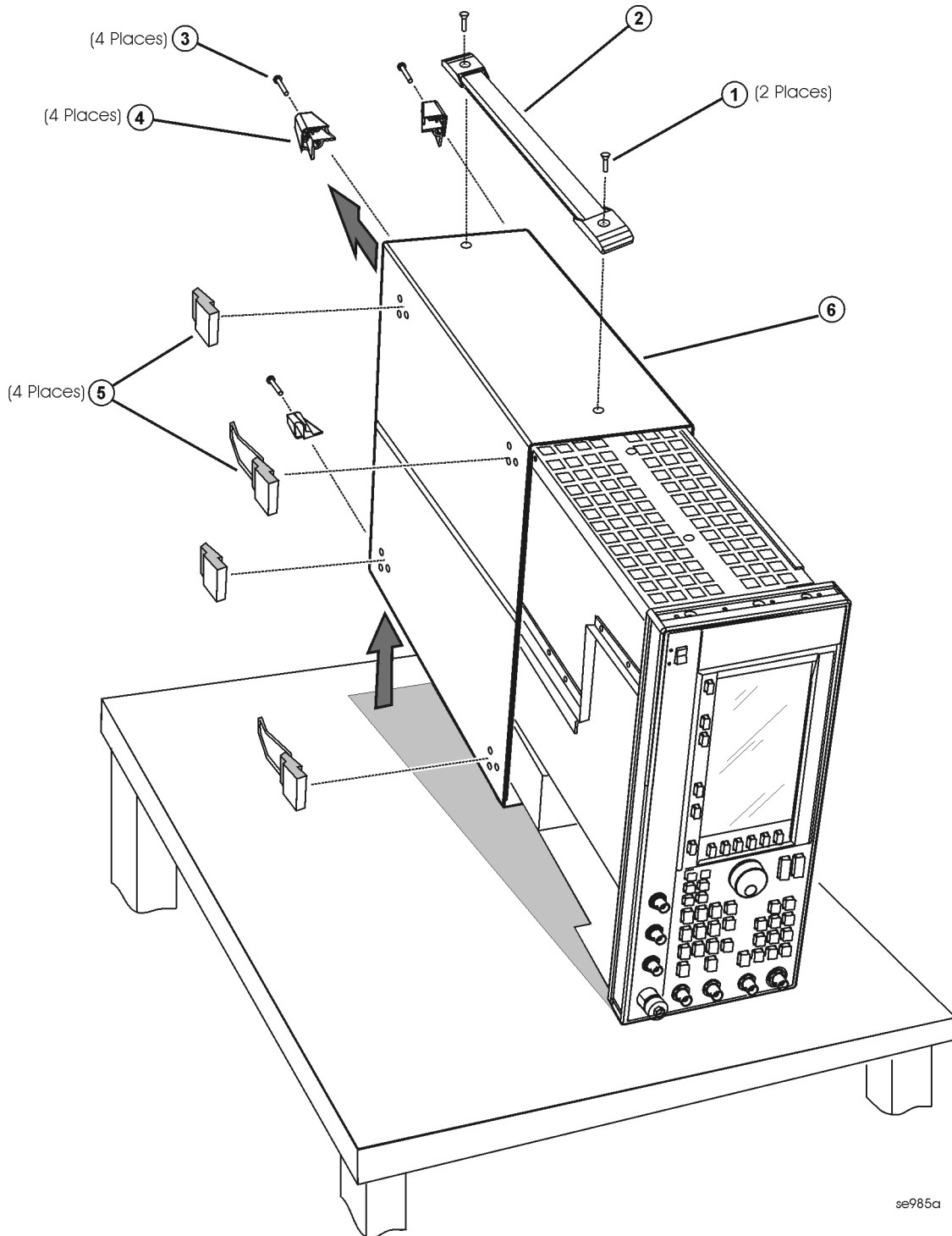
1. Disconnect the power cord.
2. Using a T-20 driver, loosen the two screws (1) and remove the strap handle (2).
3. Using a T-15 driver, remove the center screws (3) on the four rear-panel feet (4).
4. Remove the four bottom feet (5) from the cover by lifting the tab and sliding the foot toward the tab.
5. Place the signal generator on its side.
6. Tilt the signal generator forward and slide the outer cover (6) back to remove it from the frame.

Remove the Inner Top Cover

Refer to Figure 2.

1. Using a T-10 driver, remove the screws (1) from the inner-top cover (2). There are twelve screws for E8257D and eleven screws for E8267D.
2. Remove the inner-top cover.

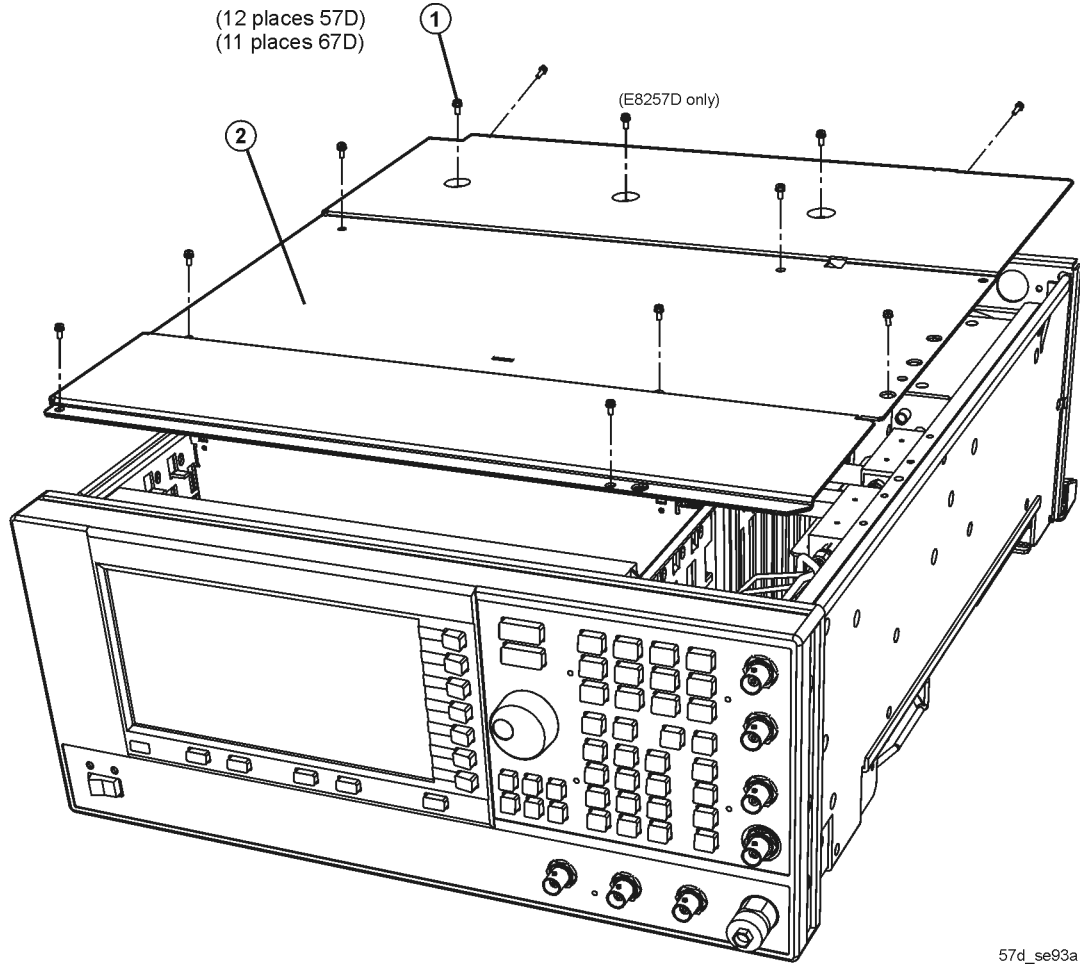
Figure 1 **Outer Cover Removal**



se985a

Figure 2

Inner Top Cover Removal

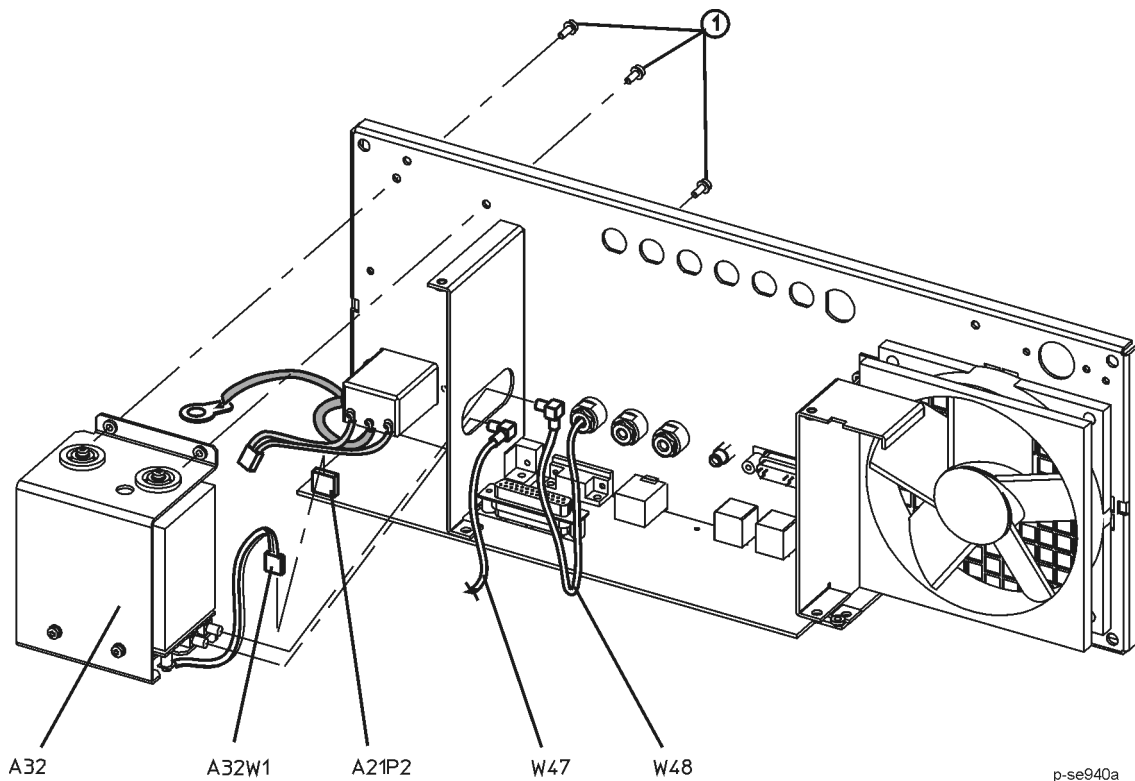


Install the A32 10 MHz Crystal Oscillator

Refer to Figure 3.

1. Position the signal generator with the rear panel facing you.
2. Using a T-10 driver, install the three screws (1) to secure the A32 10 MHz Crystal Oscillator to the rear panel.
3. Connect A32W1 bias cable to the A21 Rear Panel Interface Board, A21P2.
4. Using needle-nose pliers, connect W48 flexible cable from 10 MHz EFC (rear panel connector) to A32J1.
5. Using needle-nose pliers, connect W47 flexible cable from J1041 of the A31 Motherboard to A32J2.

Figure 3 **A32 10 MHz Crystal Oscillator**

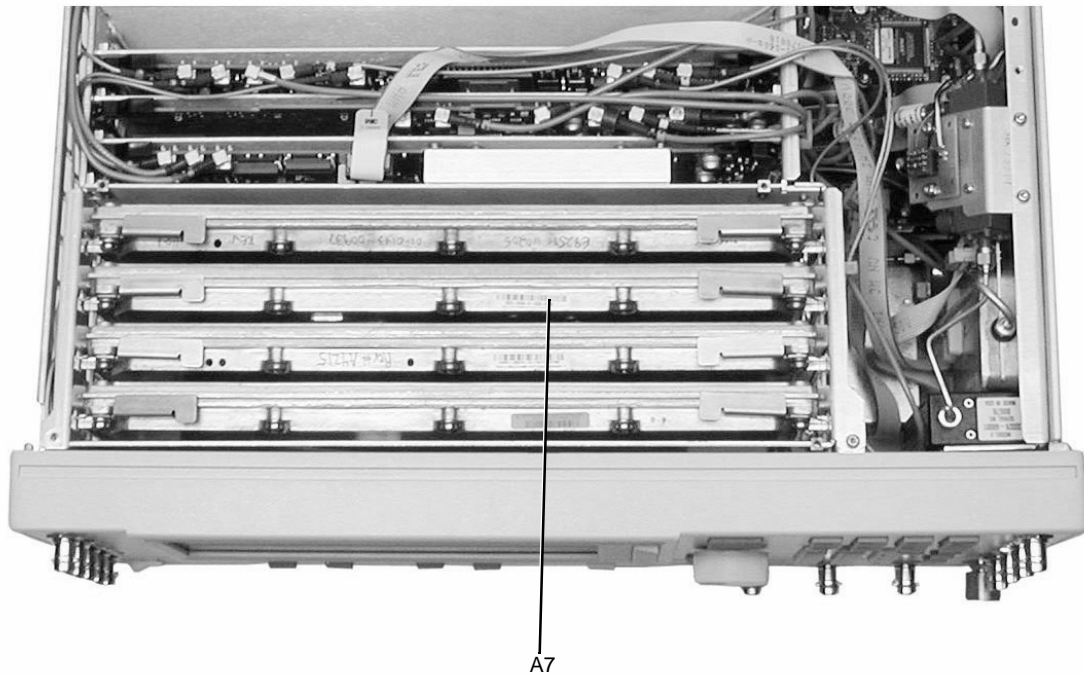


Install the New A7 Reference Board

Refer to Figure 4.

1. Position the signal generator with the front panel facing you.
2. Lift the retention levers and disconnect the A7 Reference board from the A31 Motherboard.
3. Lift the board out of the slot.
4. Install the new A7 Reference board into the empty slot.

Figure 4 **A7 Reference**



p2_a5

Verify Proper Installation of Option UNR

1. Press: **Utility > Instrument Info/Help Info > Options Info.**
2. Make sure Option UNR is listed.

NOTE If you enable an option that does not have the required hardware installed, the menus for that option will be activated but the option *cannot* operate.

Re-Assemble the Signal Generator

Refer to Figure 1 and Figure 2.

1. Reinstall the inner and outer instrument covers by reversing the order for removal.
2. Torque all T-10 screws to 9 in-lbs.
3. Torque all T-15 and T-20 screws to 21 in-lbs.

Verify Signal Generator Calibration

1. Turn the signal generator on and allow it to warm up for 30 minutes.
2. Perform the following adjustment/performance tests to verify signal generator calibration. Refer to the PSG Family Signal Generators Calibration Software:
 - ADC Calibration
 - Self Tests
 - Harmonic Spurious
 - Sub-Harmonic Spurious
 - Non-Harmonic Spurious
 - Single-Sidedband Phase Noise

